



Installation guide

FLOORING
3/4 in SOLID



MERCIER

wood flooring

INNOVATION • TRADITION • PERFECTION

It is important to read the installation instructions, maintenance guide and warranty document prior to installation. An installation that does not respect the instructions may void your warranty. For any questions about the installation process, please contact your authorized Mercier retailer, or contact Mercier's technical department at **1-866-448-1785**.

Product description: 3/4 in Solid

Nailed installation ONLY

The solid wood boards including the finishing stages, such as sanding, polishing and applying the finish, are entirely factory performed under ideal conditions. These pre-varnished boards are ready to be used immediately following their installation. Each board consists entirely of 3/4 in thick solid wood; there is, therefore, no gluing or laminating required.

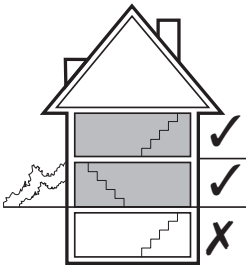
Recommended use

- | | |
|-------------------------|-----|
| • 1 st floor | Yes |
| • Ground floor | Yes |
| • Basement | No |

3/4 in solid products are not recommended for installation on a floor equipped with a radiant heating system.

Recommended material and tools

1. Vacuum or broom
2. Pneumatic or manual nailer for hardwood
 - "L" or "T" nails or "U" shaped staples
 - 15 to 17 ga
 - 1 1/2 in (38 mm) or longer
 - 8 in (20 cm) spacing
3. Levelling product or sander (if needed)
4. Level
5. Moisture meter for wood or concrete
6. 15 lb. felt or wax paper
7. Tape measure
8. Chalk line



9. Square
10. Mitre saw
11. Saw bench
12. Hammer tapping block
13. Handsaw
14. Drill and 3/32 in drill bit
15. Hammer, spiral finishing nails and pry bar
16. Mercier Touch up kit
17. Mercier maintenance kit.

This is not an exhaustive list of installation tools that may be required. Please note that Mercier wood flooring is not responsible for damage caused by tools or from the inappropriate use of materials.

Owner and installer responsibility

Before laying the floor, the installer and the owner must make sure that the installation site and subfloor comply with the conditions specified in this document. The installer and the buyer have the responsibility to inspect the wood boards prior to their installation. Mercier products meet stringent quality standards and comply with the standards in force in the wood flooring industry. These allow a rate of imperfection not exceeding 5% of the quantity of the purchased boards. This rate includes both the natural imperfections of the wood, manufacturing defects and selection of the grade.

If the installer doubts the grade selection, the manufacturing or finishing quality and cannot place the board in a less conspicuous place, nor eliminate imperfection, he/she should not install it. Once the boards are installed, this shall be considered as having been accepted by the installer and the owner even if the latter is absent at the time of installation.

According to the site and the type of installation¹, control of the hardwood boards should provide 3 to 5% additional covering to compensate for the loss caused by the cuts. Mercier will only replace products with a defect rate exceeding the acceptable 5% rate (excluding the 3 to 5% cutting waste). Mercier cannot be held liable for improper installation of its products or poor judgment by the installer. Mercier assumes no labour or installation charges.

Warranty

Structural lifetime limited warranty

35-year warranty on Mercier Generations

Greenguard certified finish

The manufacturer - “Mercier wood flooring” - warrants to the original purchaser that the Mercier Generations Greenguard certified finish will resist complete wear² and surface peeling for a period of:

- 35 years from the purchase date on the Mercier Generations Greenguard certified finish, under normal residential conditions.
- 10 years from the purchase date on the Pure Expression finish and Greenguard certified for normal residential wear.
- 5 years from the purchase date on the Mercier Generations Greenguard certified finish, for light commercial use.

Preparation of the site

The installation of the wooden floor should be the last step in your project. Before the flooring boards are delivered, inspect the installation site to make sure that:

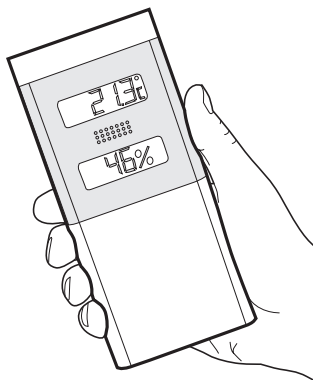
- The concrete, plaster, paint as well as the subfloor are completely dry.

¹ The angle of installation generates more significant cut losses reaching 7-9%.

² Wear must be obvious and represent at least 10% of the total area of the floor. Consult the Mercier warranty document for more information.

- The building is kept within normal ambient conditions for at least one (1) week prior to floor laying, at a temperature of about 20 ° C (68 ° F) and a relative humidity of about 45% (35-55%).
- The floor of the crawl space (if any) is completely coated with a 6 to 8 mil black polyethylene film.

The installer must check the humidity of the subfloor (plywood or OSB) at various locations using a moisture meter for wood. The moisture content of the subfloor must never exceed 12% and the gap between the subfloor and the wood boards must not exceed more than 4% of the rate of internal moisture of the boards which is from 6% to 9%. If the humidity of the subfloor or the gap between the floor and the subfloor is too high, heat, ventilate and dehumidify the site and delay the delivery and installation of the floor. (For 4 in wide boards and greater, the gap between the subfloor and the wood boards must not exceed more than 2% internal humidity of boards).



Once the ideal conditions have been obtained...

Bring the boxes of boards onto the installation site. Verify that the product is consistent in terms of species, grade, colour, size and quality. If all is compliant, let the wood acclimate for a minimum period of 48 hours prior to installation. Never store boxes of wood in an improper location such as a shed, an unheated garage or basement.

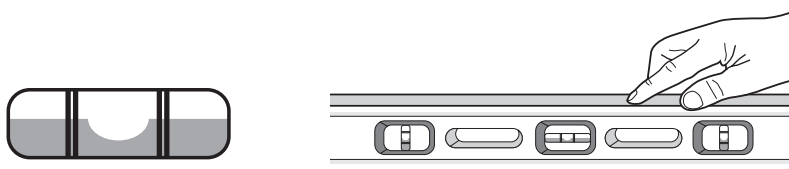
Preparation and correction of the subfloor:

- The subfloor must be structurally sound and securely fastened to the joists with floor screws to avoid any movement of the plywood panels, which could lead to cracks.
- Recommended subfloors :

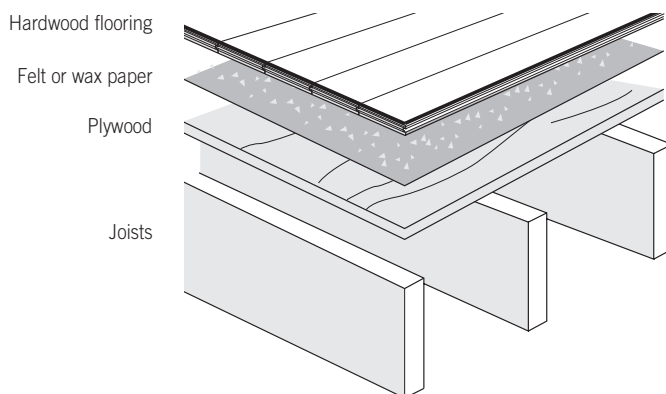
3/4 in (19 mm) plywood panels or board-oriented panels (OSB) for spaced joists to at most 19,2 in (488 mm), center to center

Plywood panels of, at least, 5/8 in (16 mm) for spaced joists to at most 16 in (406 mm), center to center

- The surface must be level. Rectify minor irregularities on the surface using a sander or a floor leveler (allow the leveler to completely dry before starting installation of the wood floor).

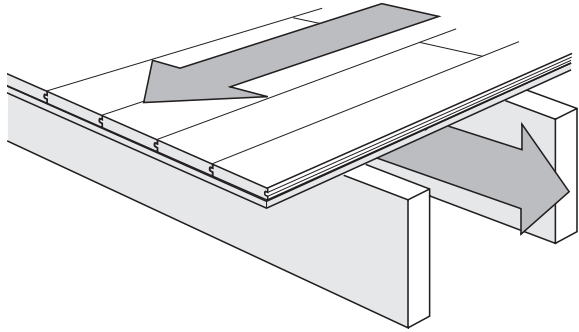


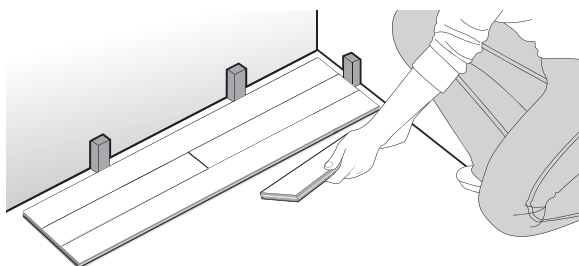
- **The subfloor must not present an elevation gain of more than 3/16 in (5 mm) over a distance of 6 ft (1,8 m) or 1/4 in (6 mm) over a distance of 10 feet (3 m).**
- The surface must be clean. Eliminate deposits of glue, staples and drive in the visible nails.
- Remove debris and dust with a vacuum cleaner.
- It is recommended to install 15 lb. felt paper or wax paper over the entire surface of the subfloor.



Recommended method to install boards

- Select boards from at least 3 boxes at a time to ensure uniformity of installation.
- Use a protective surface to place tools and the floor nailer.
- **Frequently vacuum** during installation to remove sawdust and abrasives.
- Install the boards perpendicularly (90 °) or at an angle of 45 ° to the floor joists.





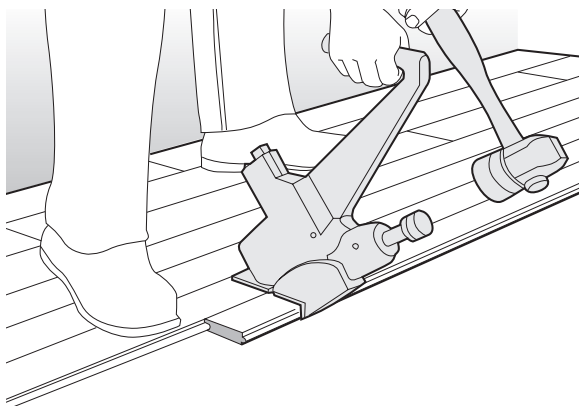
Installation

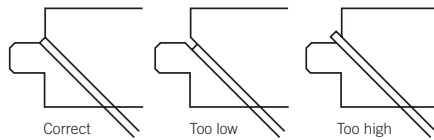
Start line

- Use the chalk line to trace a guide line parallel to the starting wall at a distance from the wall that is the sum of the width of the boards and the 3/4 in expansion joint.
- Use spacer blocks or shims between the floor boards and the wall to achieve the required expansion gap. The expansion joint is required to allow wood to react to changes in humidity.

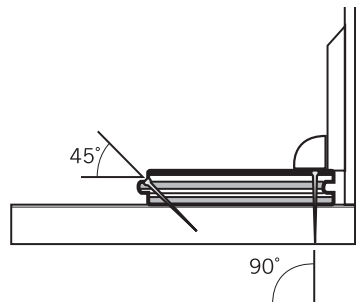
Board installation

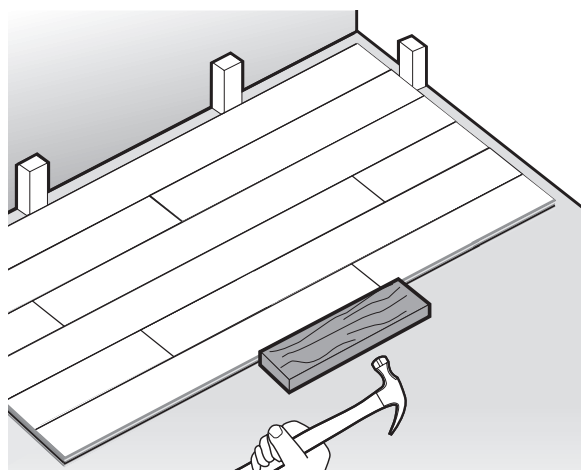
- Install the first board along the starting line, the side of the tongue facing you, and groove facing the starting wall.
- Be sure to be straight and square.





- Always keep an expansion gap of 1/4 in (6 mm) at each end of the rows;
- According to the nailer used, two rows or more will need to be nailed by hand, until you have enough space to use the nailer.
- In the following rows, use a pneumatic nailer. The boards must be nailed at every 8 in (203 mm). Each board must be secured with at least 2 nails. Do not nail within 2 in (51 mm) of the ends to not cause the breaking of the tongue.
- Important: the penetration angle of the fasteners must be 45 degrees.
- Monitor the pressure of the compressor to make sure that the tongues are not damaged.
- Before starting installation, check the nailer for the appropriate fit; practice handling the nailer on a scrap board.
- Regularly clean and inspect the status of the shoe under the nailer so it does not damage the varnished surface.
- Use of a hammer and tapping block may be necessary to engage the boards into each other. NEVER use the hammer or other hammering tool directly on the boards.
- The last board of a row will probably be cut. The remaining portion (allow a minimum of 6 in [152 mm] length) will be used to start the next row.
- The last rows of boards must be installed in the same way as the first.



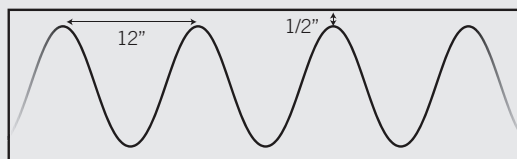


- It is possible that you need to cut the last row in the direction of the length to allow for an expansion joint of 3/4 in.

Cabin Pine collection.

For best results, Mercier wood flooring recommends using staples for its Cabin Pine collection. Staples must be positioned at 6 in (152 mm) to 8 in (203 mm) with two staples on the first six inches. For greater stability, apply a urethane-based glue (e.g. MAPEI ECO 905) on the subfloor before nailing.

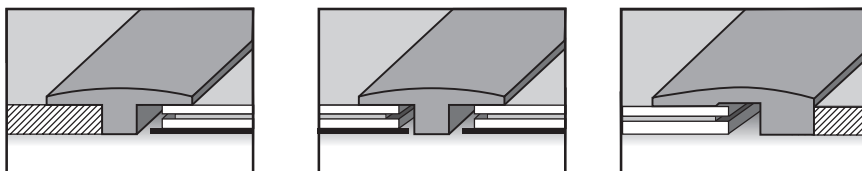
Apply glue to the subfloor by forming an “S in shaped pattern in the direction of the length of the strips.



WARNING!

Broken or split tongues can crack the floor.

Certain species of harder wood, such as exotic species, require greater attention to the settings of the pressure compressor.



Transition moldings

As part of your installation, you may have to install stair nosing, T-moldings, quarter-round and level reducers. These moldings are available in the same colours and species as your Mercier floor, and are available at your local authorized Mercier retailer. These moldings should be ordered at the same time as your hardwood floor.

Prior to installation the flooring, we recommend you select boards which combine well with moldings to not cause “breaks in in the appearance of the floor.

WARNING!

It is suggested to pre-drill moldings to avoid cracking them when they are nailed.

If you install moldings, such as baseboards or quarter rounds, these should be affixed to the wall and not to the wood floor, to allow for the movement of the floor.

Always observe the space recommended for expansion joints.

Inspection, finishing and maintenance

- Once the installation is complete, vacuum the floor and clean the surface using Mercier floor wood cleaner according to instructions. NEVER wash a hardwood floor with water.

You can hide small holes and marks left by the surface nails by using a Mercier touch-up kit referred to in technical bulletin No. 7.



MERCIER

wood flooring

mercierwoodflooring.com 1.866.448.1785